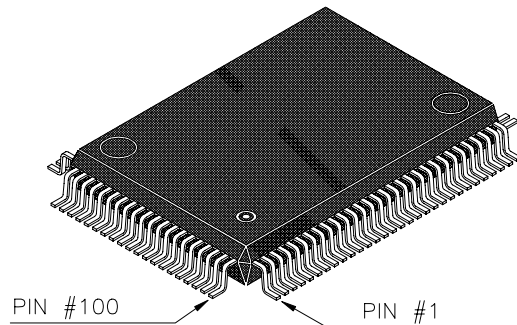
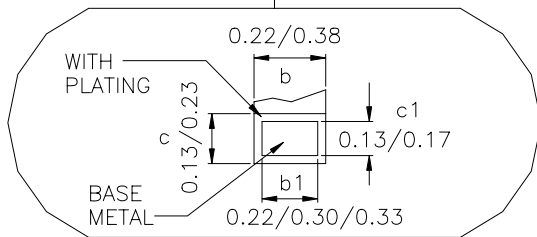
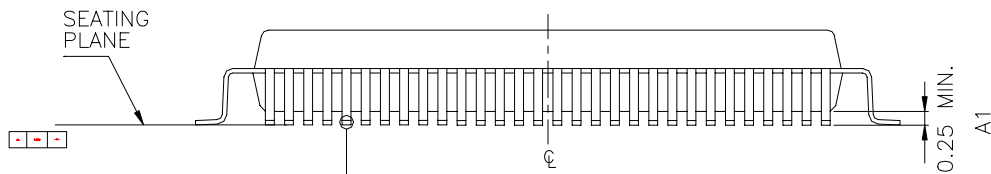
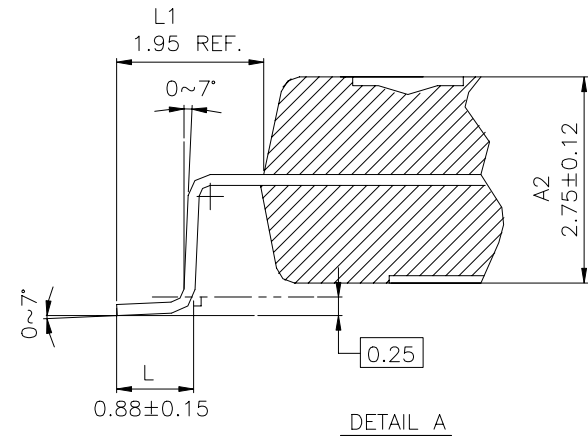
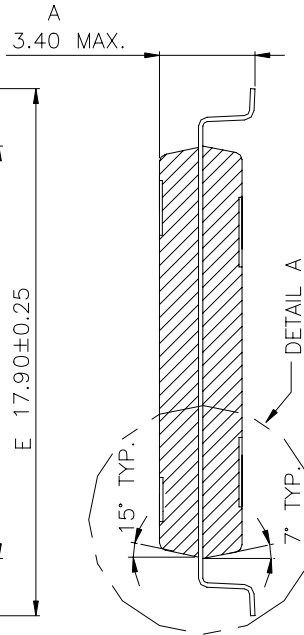


SECTION "A"-"A"



NOTES:

- 1.CONTROLLING DIMENSIONS ARE IN MILLIMETERS (MM).
- 2.DIMENSION D1&E1 DOES NOT INCLUDE MOLD PROTRUSION.
- 3.COPLANARITY OF ALL LEADS SHALL BE 3.5 MILS MAX. (BEFORE TEST) FROM THE SEATING PLANE. UNLESS OTHERWISE SPECIFIED.
- 4.GENERAL PHYSICAL OUTLINE SPEC IS REFER TO TMC'S FINAL VISUAL INSPECTION SPEC UNLESS OTHERWISE SPECIFIED.

3			
2			
1			
REV.	DESCRIPTION OF REVISION	SIGNATURE/DATE	
DWG. NO. EOL-Q1001420-002 R0 DESIGNER 潘素美 CHECKER APPROVED		TITLE <b>晶揚科技股份有限公司</b> <i>Taiwan Micropaq Corporation</i> QFP 100LD (14x20 MM) FOOTPRINT 3.9 MM PACKAGE OUTLINE DWG. FILE Q100002 SCALE 4:1 SHEET NO. 1 OF 1 UNIT MM THIRD ANGLE PROJECTION .XXXX ±.005 .XXX ±.025 .XX ±.100 .X ±.250 ALL DIMENSIONS IN MILLIMETERS.	